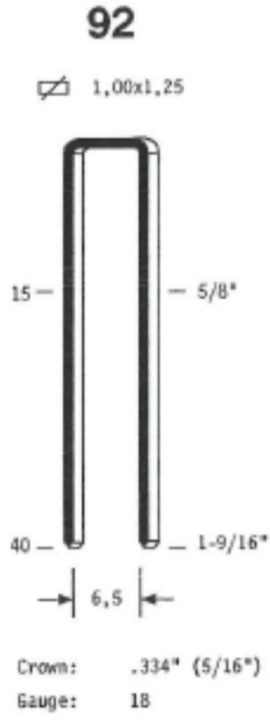




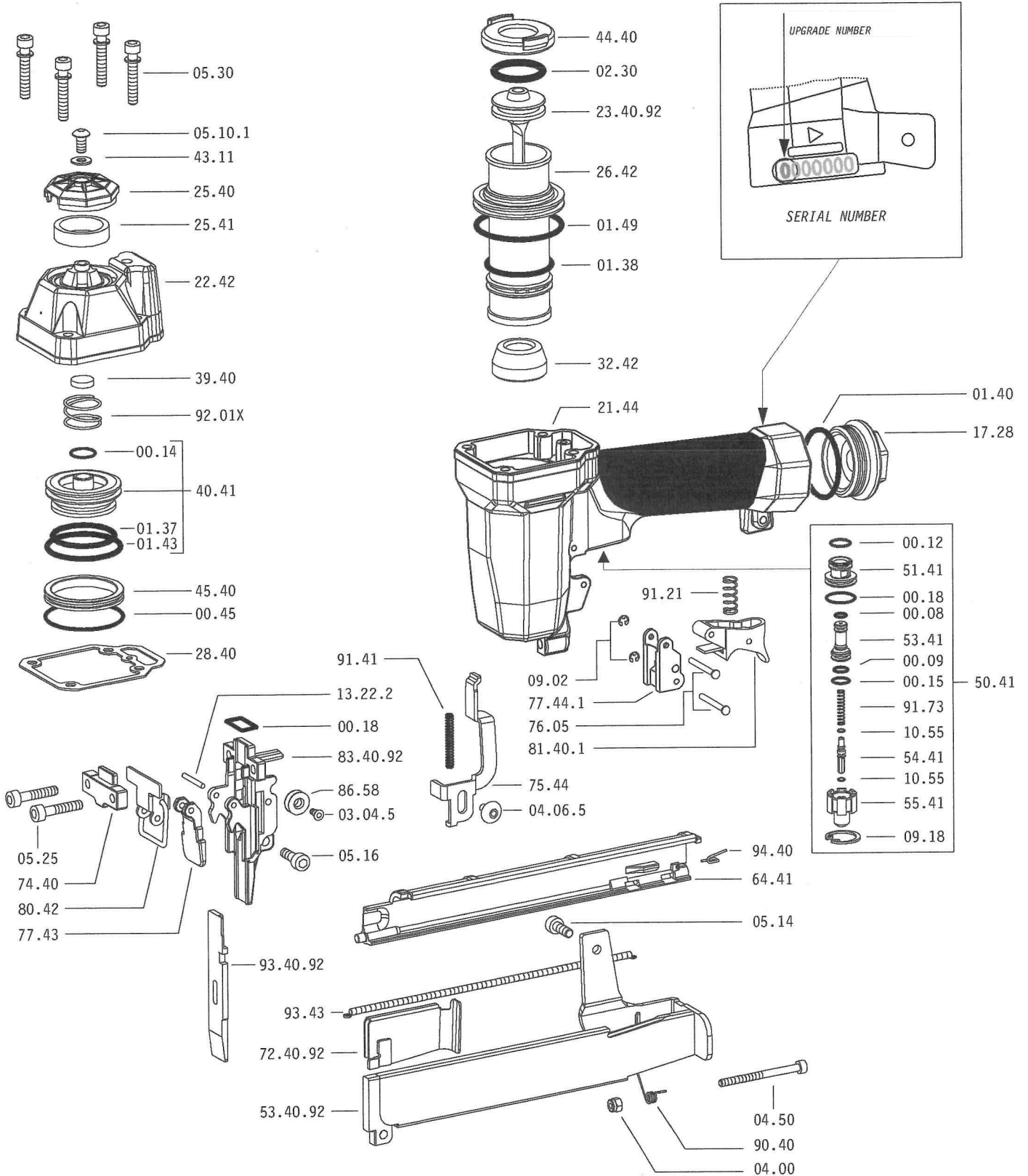
92.38SQ

USE, MAINTENANCE & SPARE PARTS MANUAL



TECHNICAL DATA		Cod. 1427240SQ
Usable lengths mm	15 ÷ 40	Type of Fastener 92 
Magazine capacity, no. of fasteners	115	
Working pressure	5 ÷ 7.5 bar 70 ÷ 105 psi	
Air consumption litres/shot	0.54	
Weight kg	1.30	
Dimensions mm	246 x 58 x 248	
Sound pressure in operator's position	87 dB(A)	
Emitted sound power	94 dB(A)	
Vibratory emissions on handle	4.03 m/s ²	March 2022

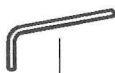
SPARE PARTS



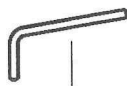
EQUIPMENT



07.25



07.30



07.40



D01

92.38 SQ

cod. 1427240SQ

SPARE PARTS

Cod.	Description
00.08	O-Ring
00.09	O-Ring
00.12	O-Ring
00.14	O-Ring
00.15	O-Ring
00.18	O-Ring
00.45	O-Ring
01.37	O-Ring
01.38	O-Ring
01.40	O-Ring
01.43	O-Ring
01.49	O-Ring
02.30	O-Ring
03.04.5	Screw
04.00	Nut
04.06.5	Screw
04.50	Screw
05.10.1	Screw
05.14	Screw
05.16	Screw
05.25	Screw
05.30	Screw
07.25	Hex. bar wrench
07.30	Hex. bar wrench
07.40	Hex. bar wrench
09.02	Elastic ring
09.18	Elastic ring
10.55	O-Ring
13.22.2	Pin
17.28	Inlet cap
21.44	Body
22.42	Head
25.40	Exhaust deflector
25.41	Silencer
26.42	Cylinder
28.40	Head gasket
32.42	Bumper
39.40	Exhaust seal
40.41	Valve ass'y
43.11	Washer
44.40	Gasket
45.40	Ring
50.41	Trigger valve ass'y
51.41	Trigger valve housing
53.41	Valve piston
54.41	Trigger valve
55.41	Bush
64.41	Hold down
74.40	Nose guide
75.44	Safety
76.05	Pin
77.43	Safety nose plate
77.44.1	Safety guide
80.42	Nose plate lock
81.40.1	Trigger
86.58	Pulley
90.40	Spring
91.21	Spring
91.41	Spring
91.73	Spring
92.01X	Spring
93.43	Spring
94.40	Spring
23.40.92	Driver
53.40.92	Magazine
72.40.92	Pusher
83.40.92	Nose
93.40.92	Nose plate
D01	Oiler

O-Rings

